

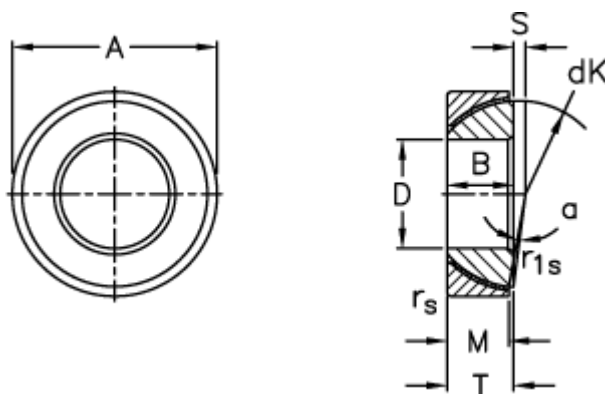
Data Sheet



Article number: 03510080

Description: Fluro Rod end GE 80SW

Measures



A = 125 0 -0,020

B = 29

D = 80 0 -0,015

dK = 115

Dynamic load C (kN) = 490

M = 25.5

rs, r1s min = 1.1

S = 8.6

Static load C0 (kN) = 980

T = 29 +0,25 -0,50

Tilt angle = 3.5

Weight = 1540